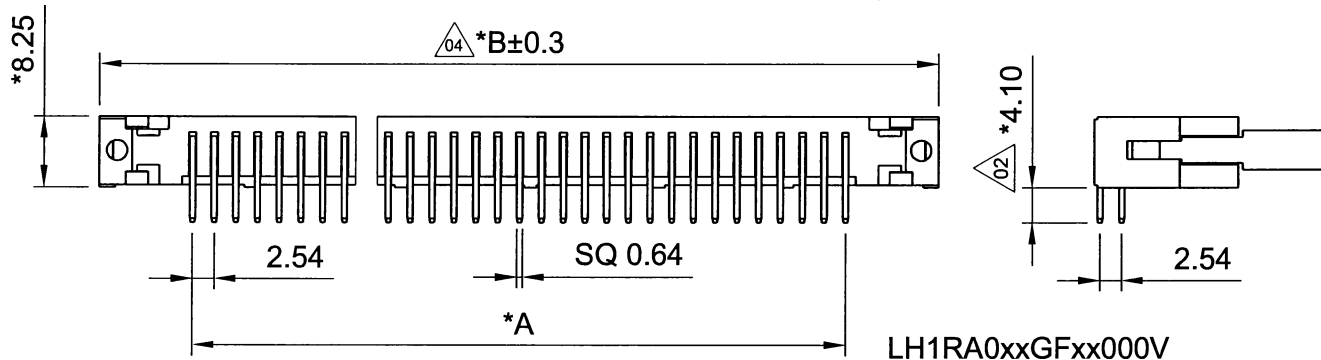
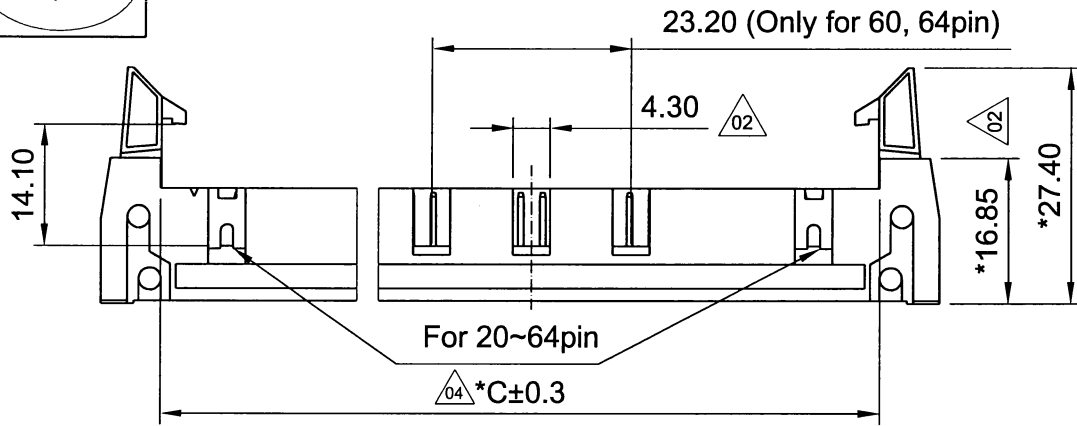
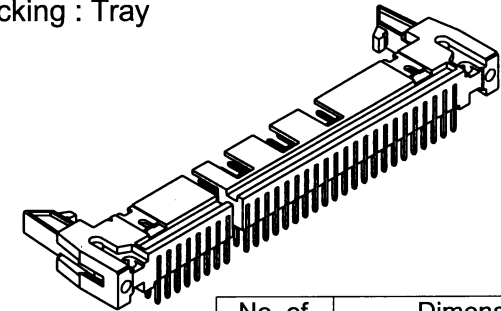




| REV. | DESCRIPTION | DATE | APPR. |
|------|---------------------------|------------|-------|
| 02 | 修改尺寸 | 2009/10/13 | 陳世官 |
| 03 | 修改尺寸10P~50P、新增塑膠顏色及NY6T材質 | 2010/07/06 | 羅文含 |
| 04 | 修改B、C尺寸及公差 | 2011/12/02 | 李佳宜 |



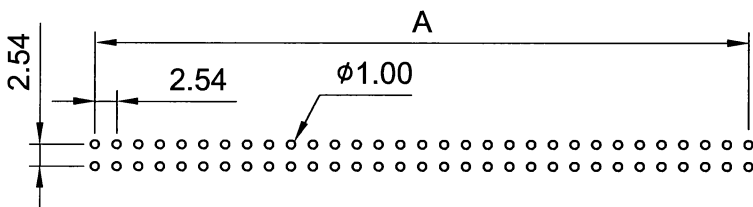
Current Rating : 3A
 Insulator Resistance : 5000 MΩ min.
 Dielectric Withstanding : 1000V AC
 Contact Resistance : 20 mΩ MAX.
 Operating Temperature : -40°C ~ +105°C
 Contact Material : Brass
 Insulator Material : PBT / Nylon-6T, UL 94V-0 ⁰³
 Finsih : Gold plated
 Packing : Tray



LH1RA0xxGFxx000V

- Color
 - A : Black (standard)
 - I : Gray ⁰³
 - G : Blue ⁰³
- Material
 - A : PBT+ Brass (standard)
 - C : Nylon-6T + Brass ⁰³
- No. of contacts

| No. of contacts | Dimensions | | |
|-------------------|------------|-------|-------|
| | Dim.A | Dim.B | Dim.C |
| ⁰³ 10P | 10.16 | 31.90 | 18.00 |
| ⁰³ 12P | 12.70 | 34.60 | 20.54 |
| ⁰³ 14P | 15.24 | 36.98 | 23.08 |
| ⁰³ 16P | 17.78 | 39.52 | 25.62 |
| ⁰³ 20P | 22.66 | 44.60 | 30.70 |
| ⁰³ 24P | 27.94 | 49.68 | 35.78 |
| ⁰³ 26P | 30.48 | 52.15 | 38.32 |
| ⁰³ 30P | 35.56 | 57.40 | 43.40 |
| ⁰³ 34P | 40.64 | 62.38 | 48.48 |
| ⁰³ 40P | 48.26 | 70.00 | 56.10 |
| ⁰³ 50P | 60.96 | 82.70 | 68.80 |
| ⁰² 60P | 73.66 | 95.60 | 81.82 |
| ⁰² 64P | 78.74 | 100.7 | 86.90 |



Recommended P.C.B. Layout

JAWS 兆旭股份有限公司
 JAWS CO., LTD.
 7F, NO.31, Ln. 169, Kangning St., Xizhi Dist.,
 New Taipei City 221, Taiwan (R.O.C.)
 TEL:886-2-2692-2898
 FAX:886-2-2692-2618
 Http://www.jaws.com.tw

| | | |
|------------------------|-------------|-------------------------|
| THIRD ANGLE PROJECTION | | DESIGN UNITS mm INCH |
| SIZE: A4 | SCALE: FREE | SHEET: 1/1 |
| CPN : | | DWG NO.: |
| DAN NO.: S10012-002 | | JAWS-SOP-LH002 |

| | | |
|---|--|---------------------------|
| TITLE: 2.54mm Latch Header Right Angle Type | | GENERAL TOLERANCES: ±0.20 |
| PARTS NO.: LH1RA0xxGFxx000V | | REV. 04 |

| | | | |
|----------|-------------|------|------------|
| DRAWN | 游熾瑩 | DATE | 2011/12/02 |
| CHECKED | <i>Jung</i> | DATE | 2011/12/02 |
| APPROVED | <i>As</i> | DATE | 2011/12/02 |